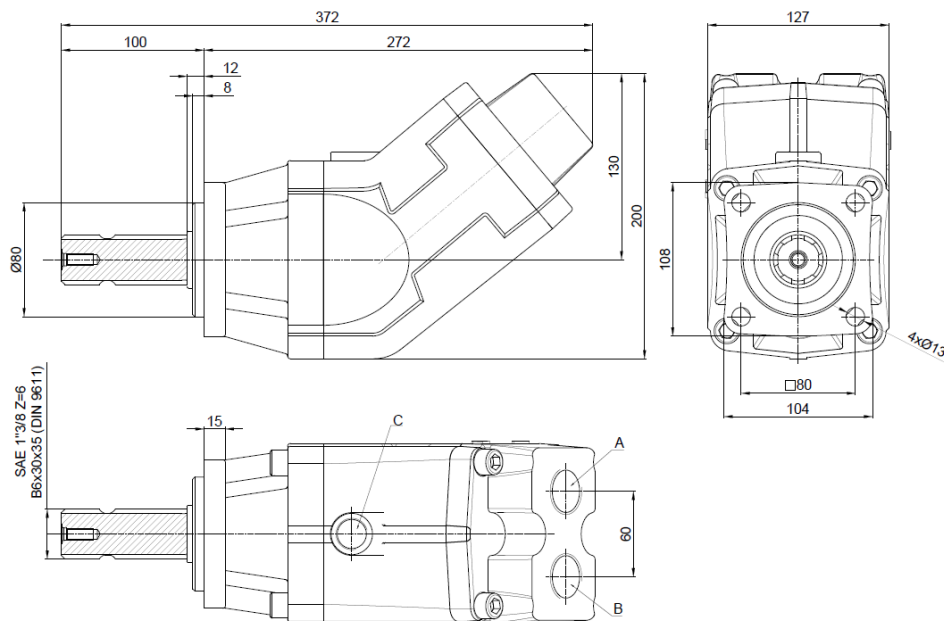




# OIL-HYDRAULIC BENT PUMP AXIAL PISTONS

Ref. BI P7DA

## Main Dimensions



(Dimensions in mm)

## Main Data

Pumps BI	110P7DA
Displacement (cm <sup>3</sup> /rot.)	108
Operating pressure (bar) (up to)	350
Peak pressure (bar)	400
Operating rotation <sup>1</sup> (rpm)	1600
Max. rotation without load <sup>1</sup> (rpm)	1800
Weight (approx.) (kg)	13.4
Pistons quantity	7
A-Oil outlet (DIN ISO 228)	1" BSP
B-Oil inlet (DIN ISO 228)	1 1/2" BSP
C	Drain hole

### How to order:

**Example:** Pump 80cm<sup>3</sup>/rot, operating pressure up to 350 bar; peak pressure 400 bar, ref. BI P7DA  
BI80P7DA

Fluids	mineral oils type ISO HM or DIN 51524-2 HLP
Recommended viscosity range	20 to 40 cSt (mm <sup>2</sup> /s) at working temperature
Limits viscosity range	10 to 750 cSt (mm <sup>2</sup> /s)
Start-up viscosity range, without load	750 to 1500 cSt (mm <sup>2</sup> /s)
Filtration	10µm ISO4406 18/13
Inlet pressure range	0,8 to 2 bar abs
In the application of any of these pumps; the use of these data does not exempt the reading of the instruction "BI pumps rec ommendations before start-up"	

<sup>1</sup> These values are valid at an absolute pressure of 1 bar in suction port when operating with a mineral oil at a viscosity of 30 mm<sup>2</sup>/s (cSt).

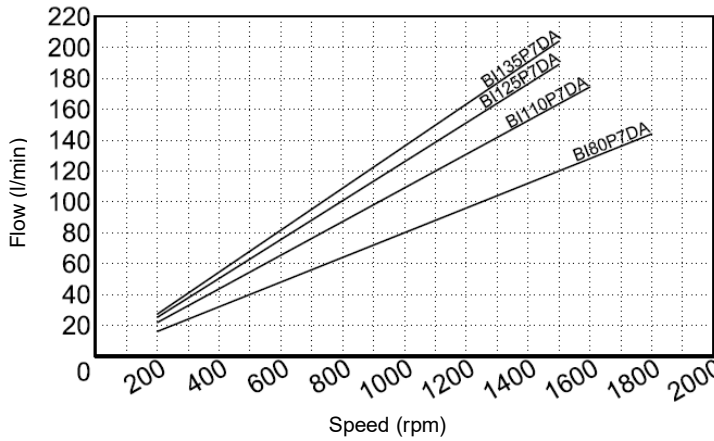
ABER is constantly engaged in improving its products and, therefore, reserves itself the right to modify without any further notice the characteristics shown



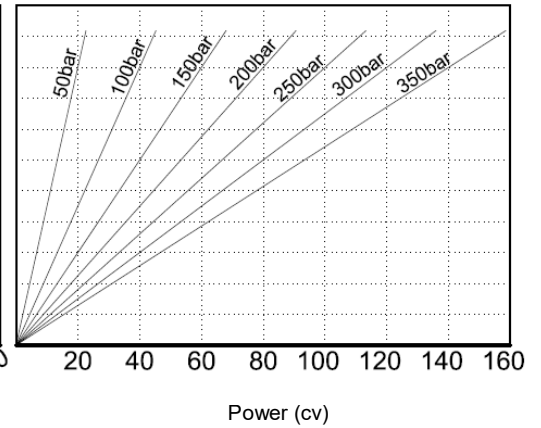
# OIL-HYDRAULIC BENT PUMP AXIAL PISTONS

Ref. BI P7DA

**Diagram  
Flow - Speed**



**Diagram  
Input Power - Flow - Pressure**



## Hose dimensions

Inlet Hose	
Flow (l/min)	Internal pipe diameter (inch)
30-40	1"1/4
50-60	1"1/2
70-90	1"3/4
100-120	2"
130-150	2"1/4
160-190	2"1/2
200-230	2"3/4

Outlet Hose						
Flow (l/min)	Internal pipe diameter (inch)					
	30	1/2"	1/2"	1/2"	1/2"	1/2"
40	5/8"	1/2"	1/2"	1/2"	1/2"	
50	5/8"	5/8"	5/8"	1/2"	1/2"	
60	3/4"	5/8"	5/8"	5/8"	5/8"	
70	1"	3/4"	3/4"	5/8"	5/8"	
80	1"	3/4"	3/4"	3/4"	3/4"	
90	1"	1"	1"	3/4"	3/4"	
100	1"	1"	1"	1"	3/4"	
110	1"	1"	1"	1"	1"	
120	1"	1"	1"	1"	1"	
130	1"	1"	1"	1"	1"	
140	1"1/4	1"	1"	1"	1"	
150	1"1/4	1"	1"	1"	1"	
160	1"1/4	1"1/4	1"	1"	1"	
170	1"1/4	1"1/4	1"	1"	1"	
180	1"1/4	1"1/4	1"1/4	1"	1"	
190	1"1/4	1"1/4	1"1/4	1"	1"	
200	1"1/2	1"1/4	1"1/4	1"1/4	1"	
210	1"1/2	1"1/4	1"1/4	1"1/4	1"1/4	
		50-100	100-150	150-200	200-300	300-350
<b>P (bar)</b>						

CTI BI P7DA 1406-3

### Important notes:

- To install one of these pumps, please consult and respect the instruction "BI pumps recommendations before start-up";
- Other axis available, please consult "Axel options".

ABER is constantly engaged in improving its products and, therefore, reserves itself the right to modify without any further notice the characteristics shown